

Ultrasonic sensor **UR18-CC35** series

**Feature Description**

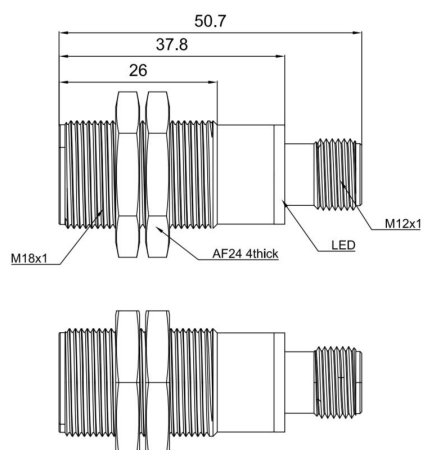
- ◆ M18 installation threaded sleeve, with a minimum length of 40mm
- ◆ Small blind spot and sound cone, suitable for close range fine detection
- ◆ 1 NPN or PNP switch output
- ◆ Analog voltage output 0-5/10V or analog current output 4-20mA
- ◆ Output can be changed through serial port upgrade
- ◆ Setting detection distance through teach-in lines
- ◆ Temperature compensation

**Model specifications**

NPN	NO/NC	UR18-CC35DNB-E2	PNP	NO/NC	UR18-CC35DPB-E2
NPN	Hysteresis mode	UR18-CC35DNH-E2	PNP	Hysteresis mode	UR18-CC35DPH-E2
0-5V	Analog output	UR18-CC35DU5-E2	4-20mA	Analog output	UR18-CC35DI-E2
0-10V	Analog output	UR18-CC35DU10-E2			

**Specifications**

Sensing range	30-350mm	Protection circuit	Reverse connection, digital overvoltage protection
Blind area	0-30mm	Output indication	Red LED: Always on, no target detected Flashing, no target detected in teach-in state
Resolution ratio	0.17mm		Yellow LED: Always on, detected target within A1-A2 range Flashing, target detected in teach-in state
Repeat accuracy	± 0.15% of full scale value	Input type	With teach-in function
Absolute accuracy	± 1% (temperature drift compensation)	Ambient temperature	-25°C...70°C (248-343K)
Response time	50ms	Storage temperature	-40°C...85°C (233-358K)
Switch hysteresis	2mm	Output characteristics	Support serial port upgrade and change the output type
Switching frequency	20Hz	Material	Copper nickel plating, glass bead filled epoxy resin
Power on delay	<500ms	Protection degree	IP67
Working voltage	15...30VDC	Connection	4 pin M12 connector
No-load current	≤25mA		
Load resistance	U/1k Ohm		

**Dimension**

**Wiring diagram**
